

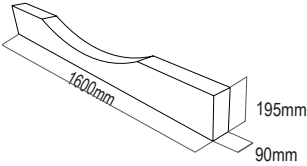
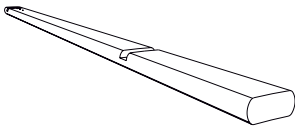
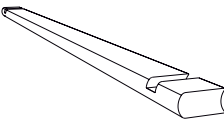
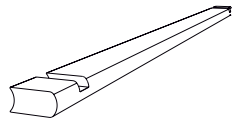
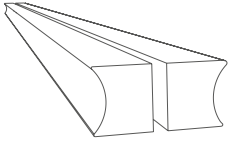
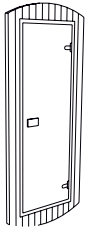
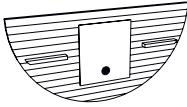
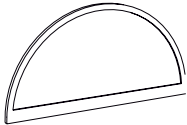
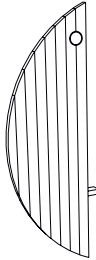
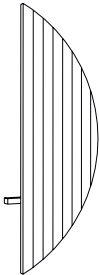
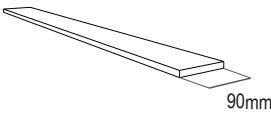
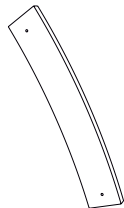
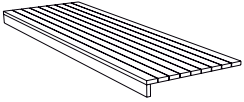
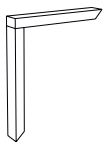
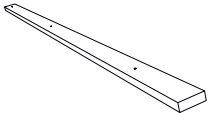



**VMS
Timber**
a THERMORY company

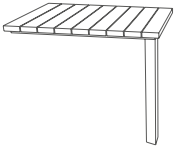


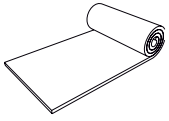






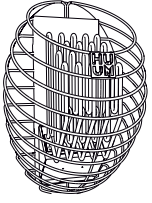
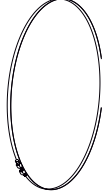

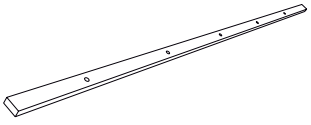
BARREL SAUNA ASSEMBLY INSTRUCTION

MODEL: **DIY SAUNA R-T-225-P**

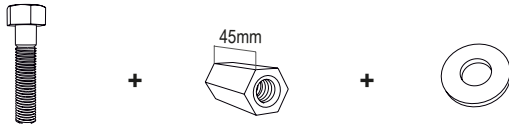


<p>A x3</p> 	<p>B x1</p> 	<p>C x40 (+1reserve)</p> 	<p>C1 x40 (+1reserve)</p> 
<p>cradles</p>	<p>center stave</p>	<p>left side body staves</p>	<p>right body staves</p>
<p>H x2</p> 	<p>D x1</p> 	<p>E x1</p> 	<p>E1 x1</p> 
<p>final H type stave at the top</p>	<p>front panel</p>	<p>rear panel</p>	<p>rear panel with window</p>
<p>F x1</p> 	<p>F1 x1</p> 	<p>O x1</p> 	<p>W x10</p> 
<p>left panel section</p>	<p>right panel section</p>	<p>aspen roof board</p>	<p>decorative roof finishing boards</p>
<p>J x2</p> 	<p>J1 x2</p> 	<p>J2 x6</p> 	<p>L x3</p>  <p>inside outside</p>
<p>sitting shelves</p>	<p>supporting leg</p>	<p>backrest staves</p>	<p>flooring duckboard</p>



<p>(K) x2</p> 	<p>(V) x3</p> 	<p>(S) x1</p> 	<p>(R) x1</p> 
benches	wooden cable raceway kit	wooden fence	adhesive roof tape
<p>(M) x8</p> 	<p>(N) x130</p> 	<p>(N1) x24</p> 	<p>(P) x70</p> 
screw 5.0x120	screw 4.2x70	stainless steel screw 4.2x70	screw 4.0x50
<p>(P1) x24</p> 	<p>(X) x2</p> 	<p>(Y) x1</p> 	<p>(I) x2</p> 
stainless steel screw 4.0x50	screw 5.0x100	electric sauna heater with stones	metal bands
<p>(Z) x1</p> 	<p>(Z1) x2</p> 		
waterproof roof cover	wooden slat for roof cover		

Ⓢ x2 + x2 + x4

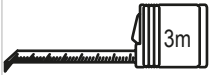


∅ bolt
16x140

hex nut
M16 (SW24)

flat washer

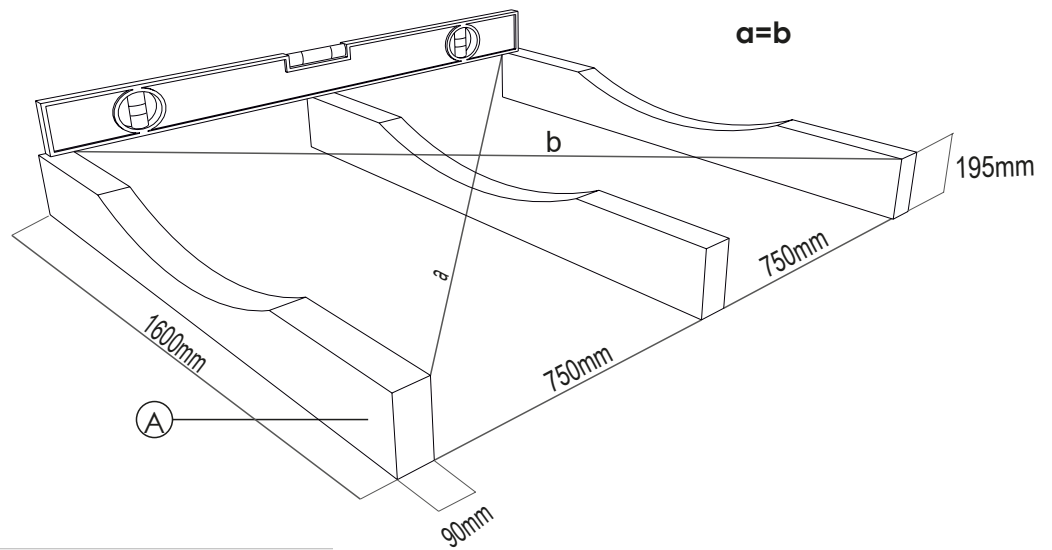
TOOLS REQUIRED



RECOMMENDATION:

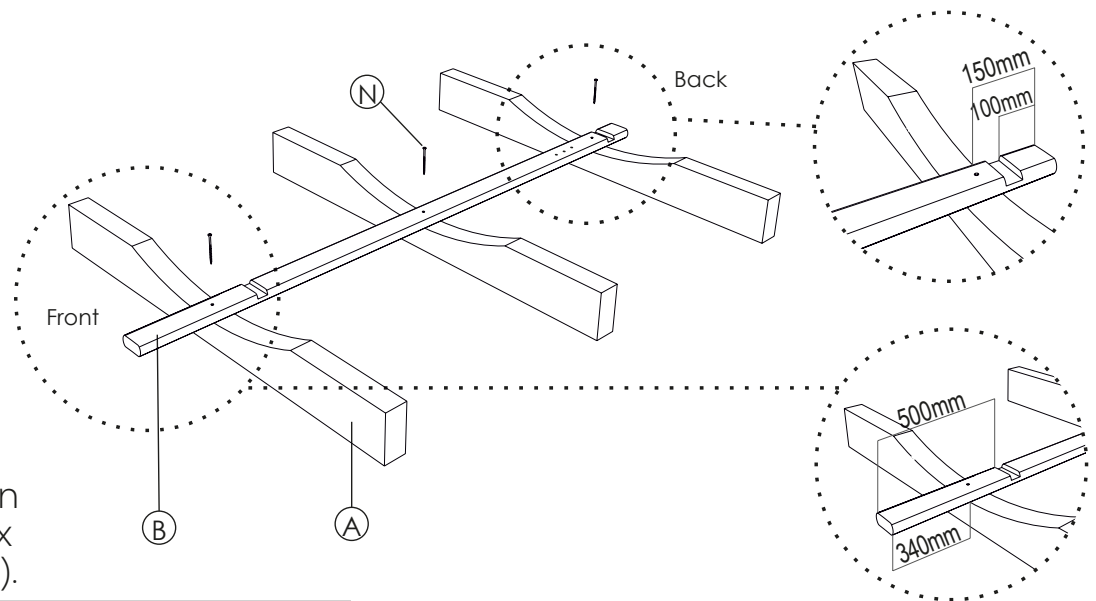
2 persons recommended





STEP 1

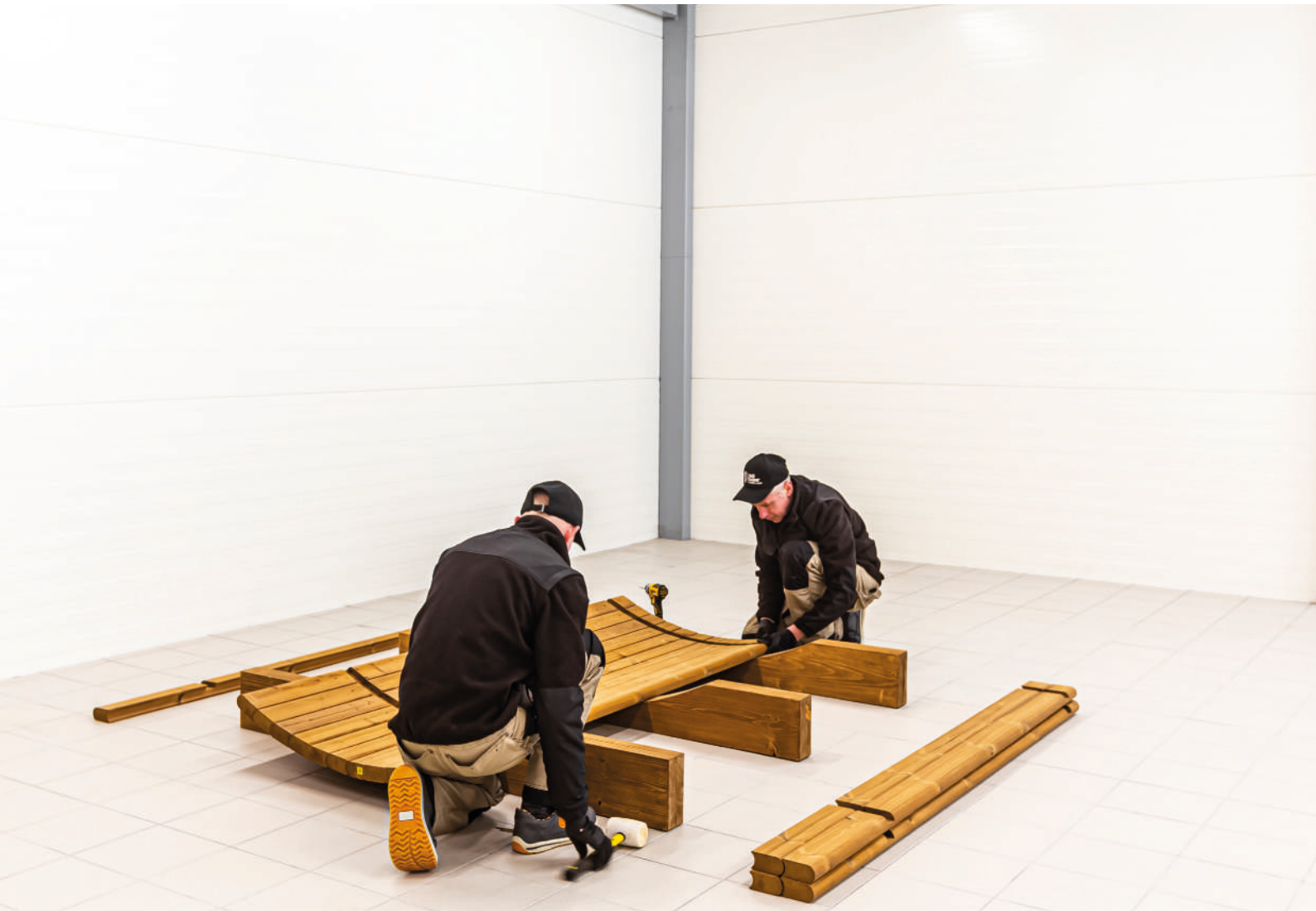
Place support cradles (A) 750mm from each other. Carefully level them for better stability.



STEP 2

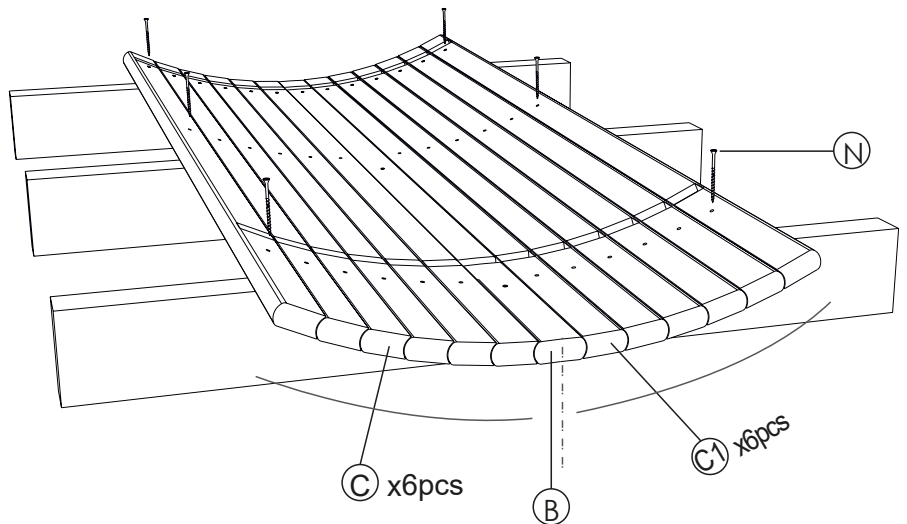
Place a center stave (B) on wooden dowels which are embedden in a support cradle (A). Fix it with screw 4.2x70 (N).





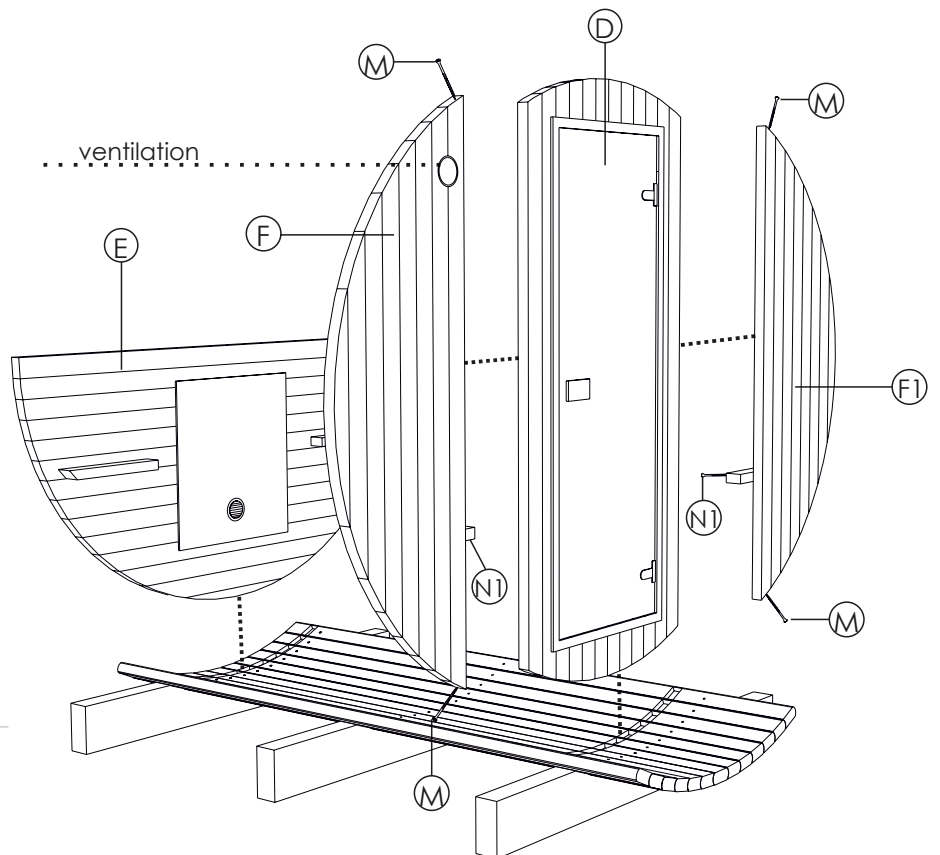
STEP 3

Place 6 sauna body staves (C,C1) to each side from center stave (B) and fix with screws 4.2X70 (N). Body staves (C) are left and right sided. Watch the panel groove to continue flawlessly on every next body stave.



STEP 4

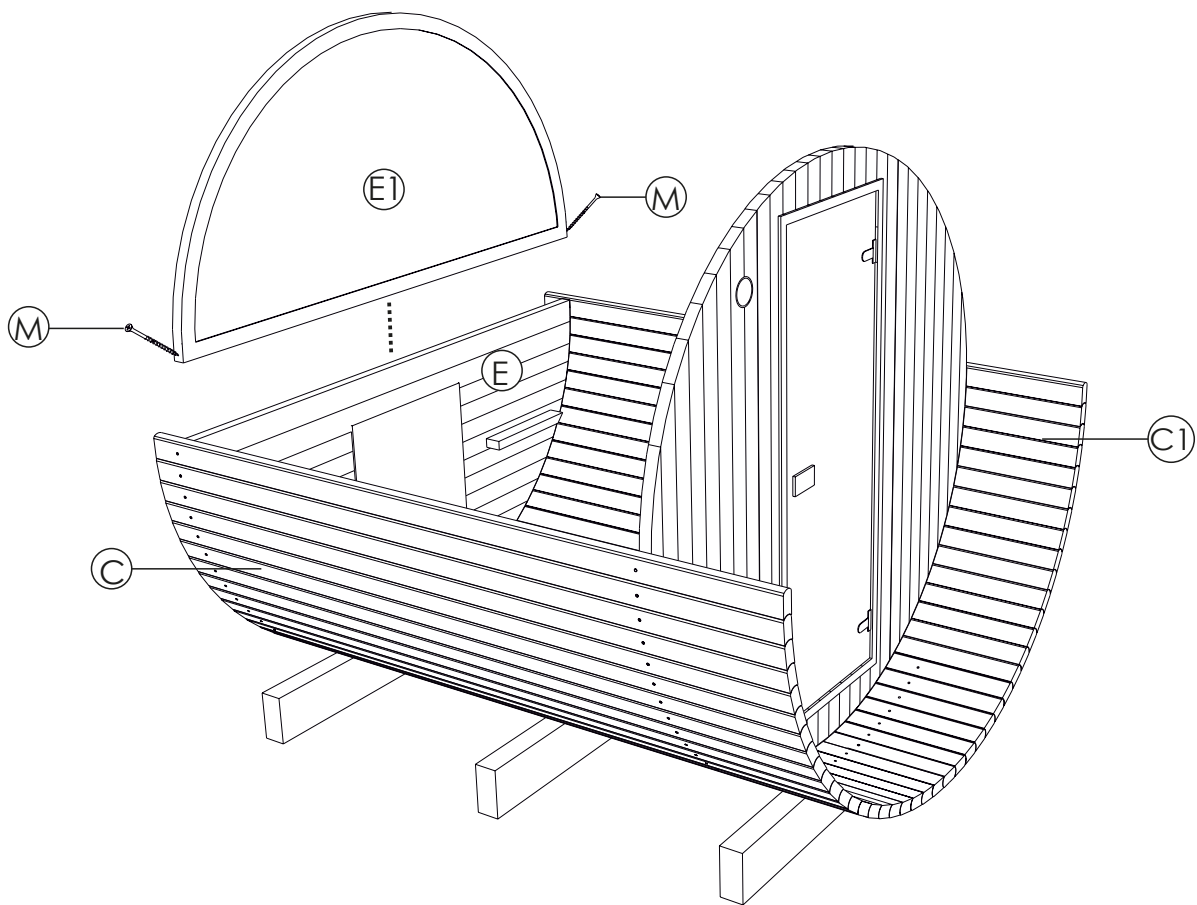
Left side panel (F) and right side panel (F1) are fixed to the front panel with sauna doors (D) by 4 screws 5.0x120 (M) and 2 stainless steel screws 4.2x70 (N1). Place a rear panel with minerit (E) facing in to the trimmed grooves.





STEP 5

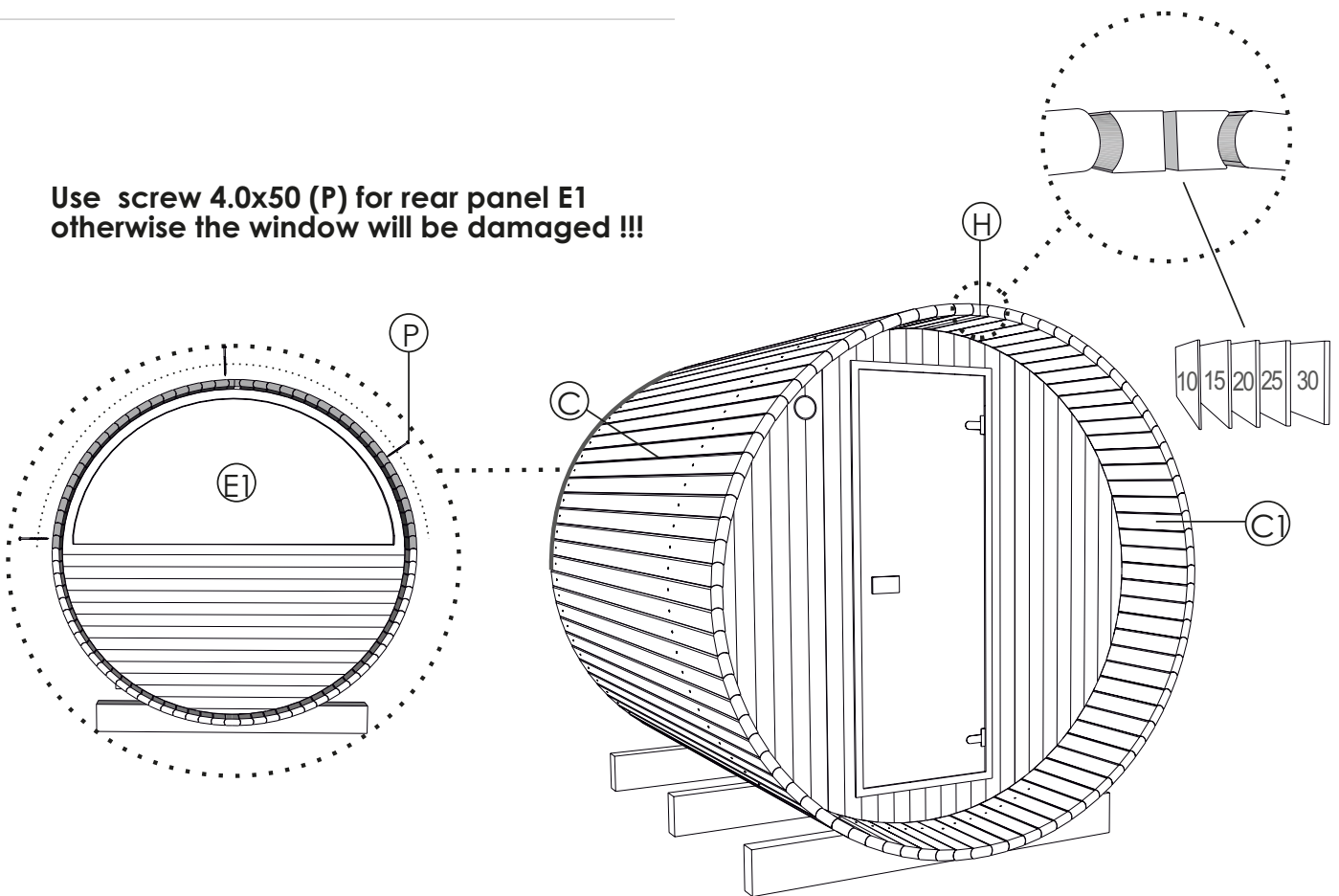
Place left body staves (C) and right body staves (C1) till the half. Place rare panel with window (E1) on rare panel (E), fix by 2 screws 5.0x120 (M).



STEP 6

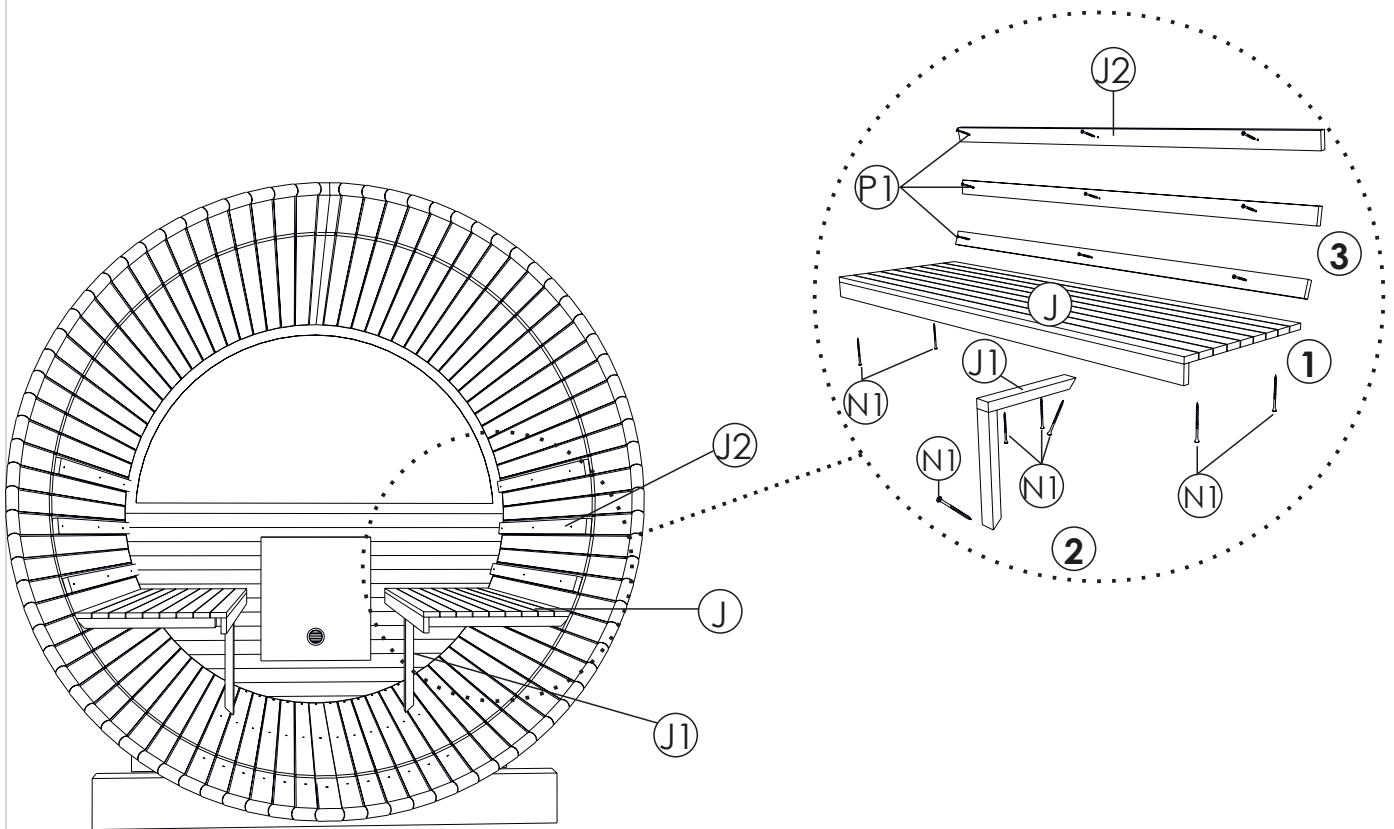
Continue placing left and right body staves (C, C1) tightly on both sides of the sauna using rubber mallet, and fixing body staves in front panel with screws 4.20x70 and in rear panel with window with 4.0x50 (P) screws. To finish the roof top joint, use roof finishing item (H). Item (H) has different thickness filling pieces. Combine them to fill the gap fully.

Use screw 4.0x50 (P) for rear panel E1 otherwise the window will be damaged !!!



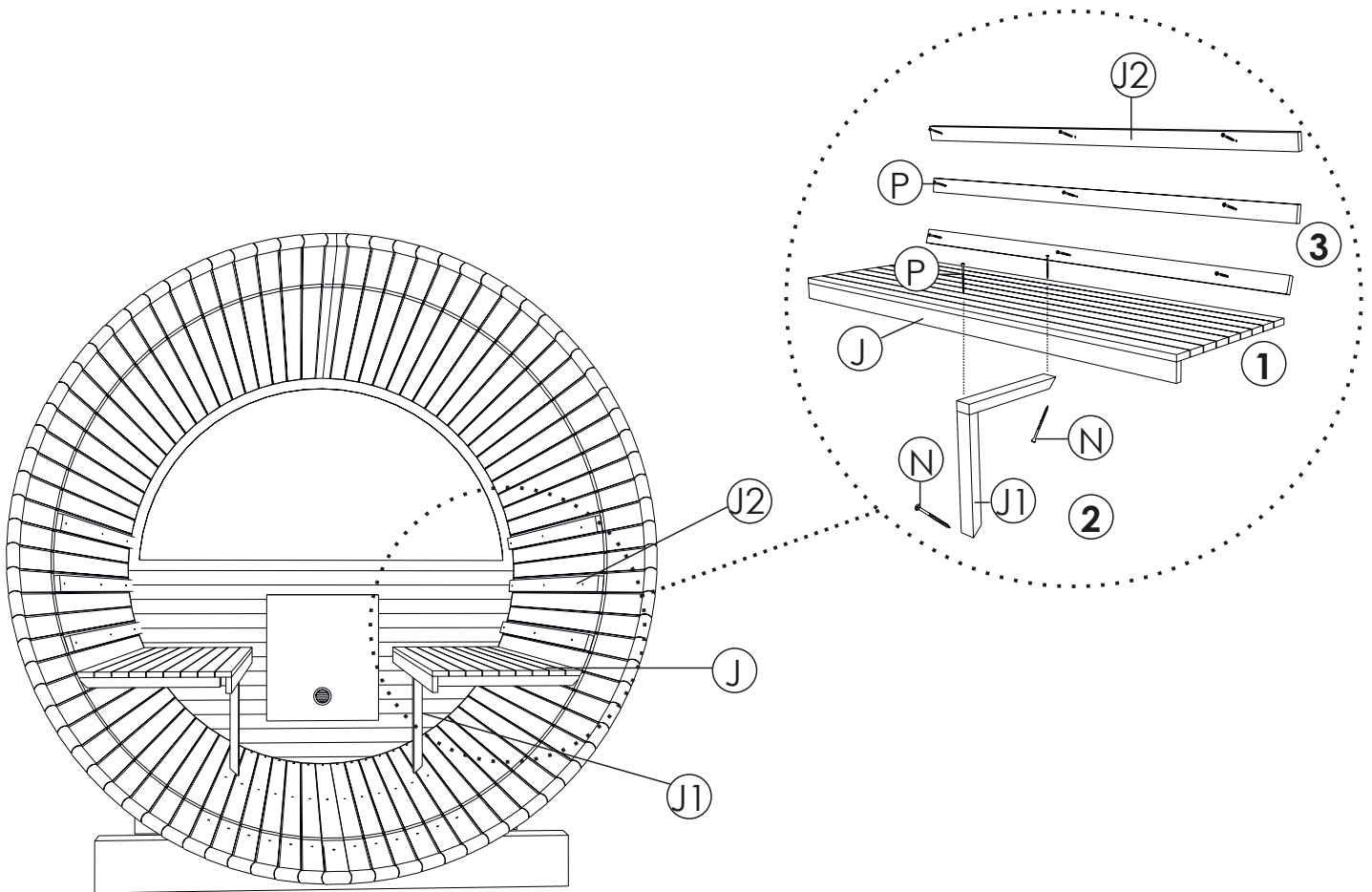
STEP 7

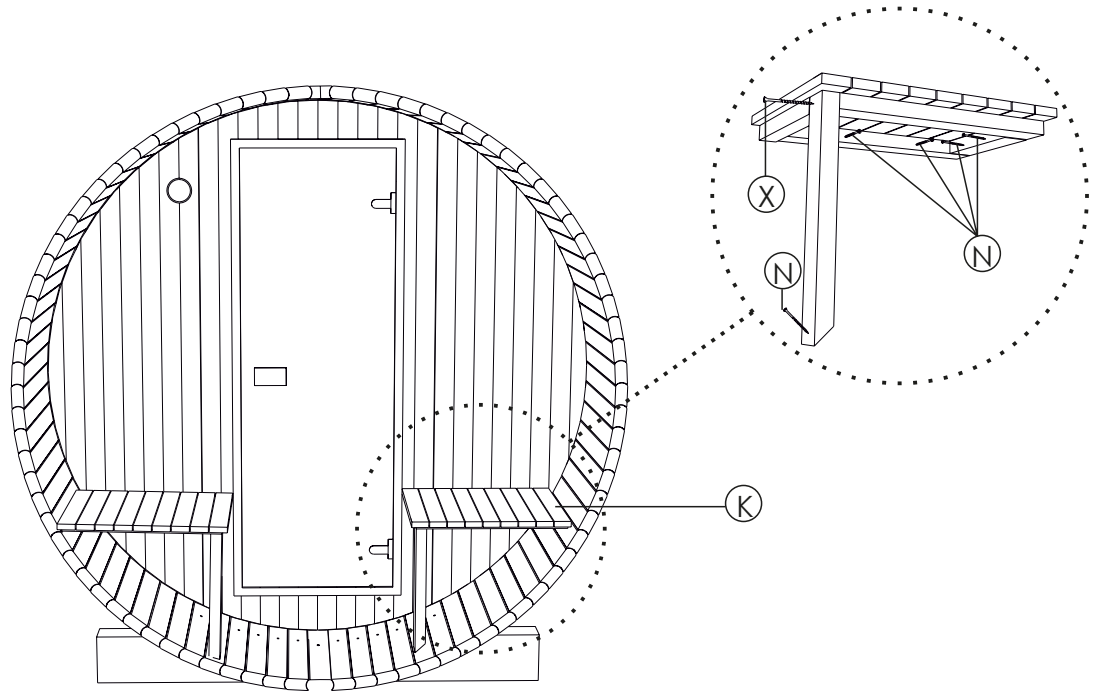
Install stainless steel bands, connect them with bolts and nuts (U). Before fully tightening, place the steel bands so they cover the screw heads you earlier installed on staves (C). Cover the roof joint with self adhesive roof tape (R). From beneath install aspen roof board (O) fixing with stainless steel screws 4.0x50 (P1).



STEP 8

Attach sauna bench supporting leg (J1) to the bench (J), install two sauna benches on wall mounts using screws 4.2x70 (N). Install backrests (J2) on your chosen height using screw 4.0x35 (P).



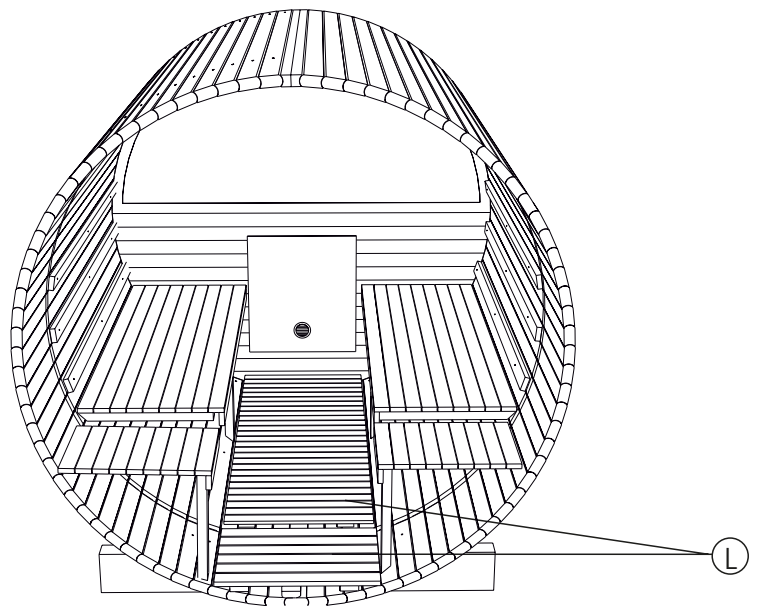


STEP 9

Install porch benches (K), using screws 4.2x70 (N) and 5.0x100(X).

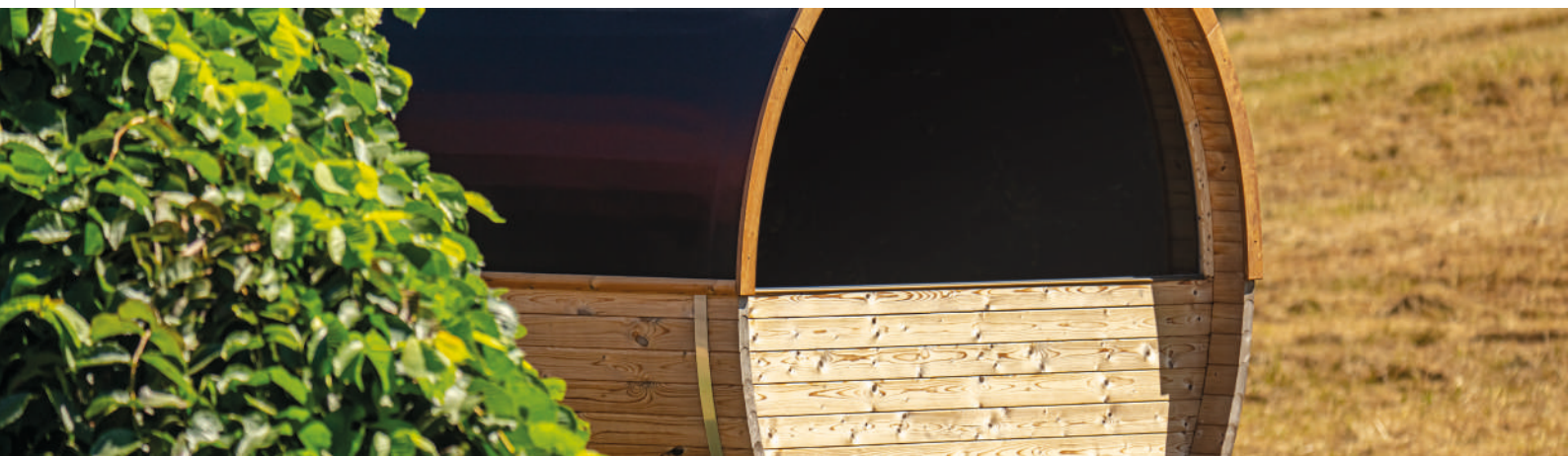
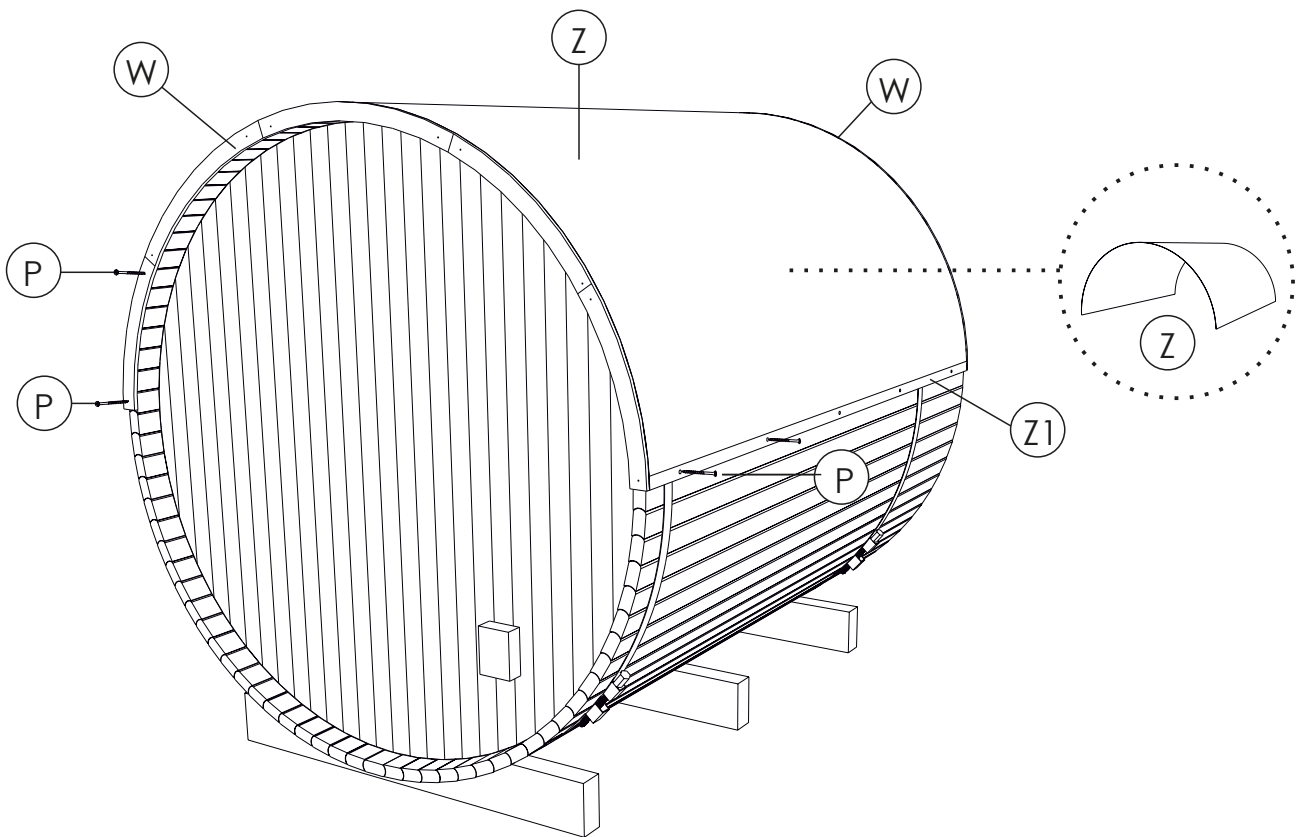
STEP 10

Continue to sauna stove installation, and after that install floor duckboards(L).



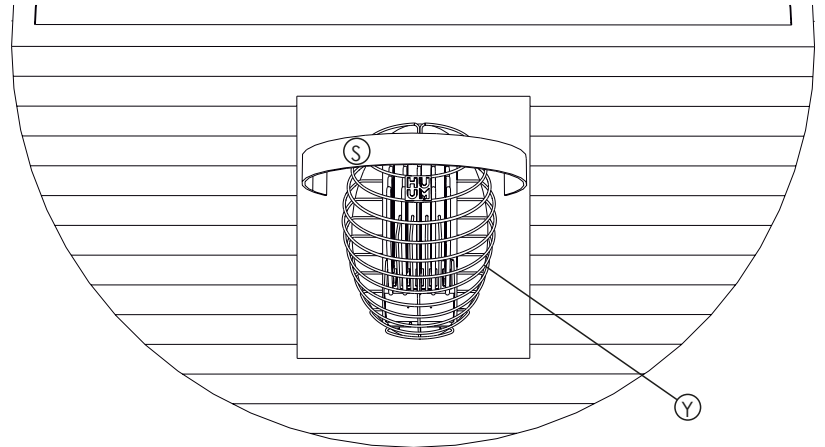
STEP 11

Place waterproof roof cover(Z) and fix it with wooden slat(Z1) and screws 4.0x50(P). Install front and rear decorative roof finishing boards (W), fixing by screws 4.0x50(P).



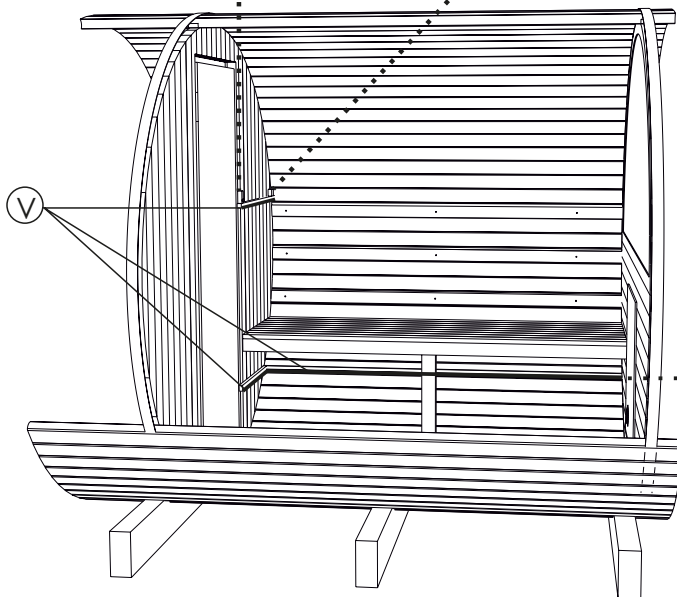
ELECTRIC SAUNA HEATER ASSEMBLY

All electrical work must be performed
by a licensed electrician!

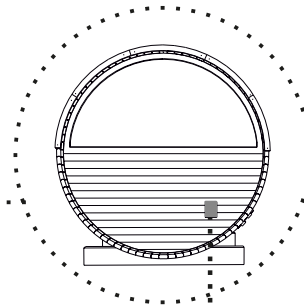


sauna heater regulator

temperature sensor



contactor box



VMS Timber

“Zageri”, Bikšere, Sarkanu parish
Madonas region, LV-4870, Latvia

+371 25410444
+371 26635755

info@vmstimber.com
www.vmstimber.com

→ thermory.com

Thermory AS

Lõõtsa 1a,
11415 Tallinn
Estonia

Phone: +372 606 2903
E-mail: info@thermory.com



THERMORY[®]
LEAVE A LASTING IMPACT

